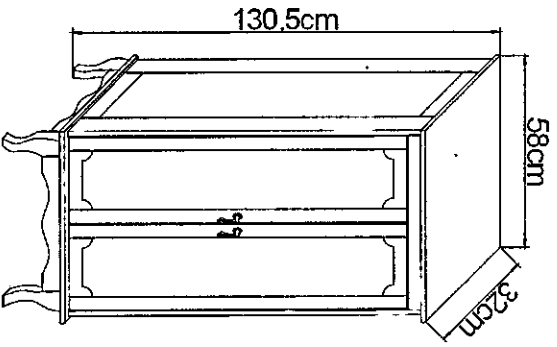


2404133

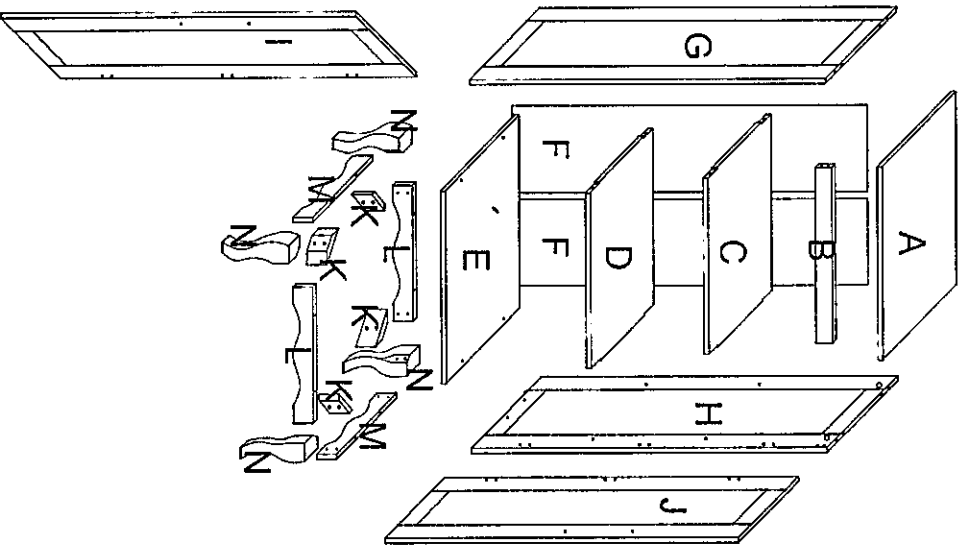
# ASSEMBLY INSTRUCTIONS

ASSEMBLED DIMENSIONS

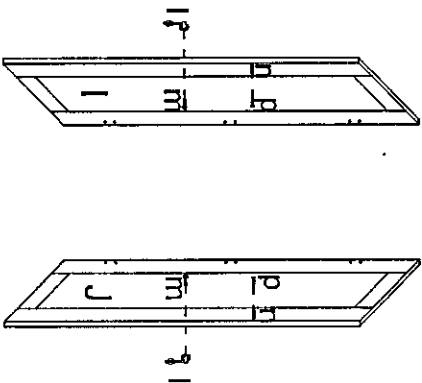


PARTS LIST

HARDWARE LIST					
a		26PCS	j		2PCS
b		12PCS	k		12PCS
c		12PCS	l		2PCS
d		4PCS	m		2PCS
e		1PC	n		2PCS
f		18PCS	o		6PCS
g		16PCS	p		26PCS
h		8PCS	q		
i		1PC			



step 1



step 2

