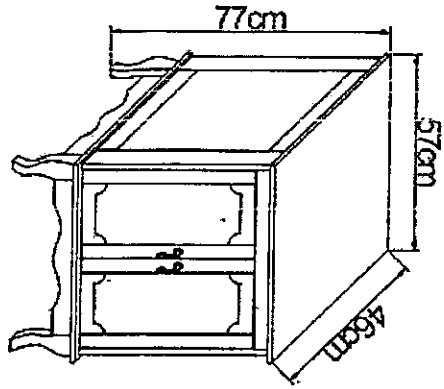
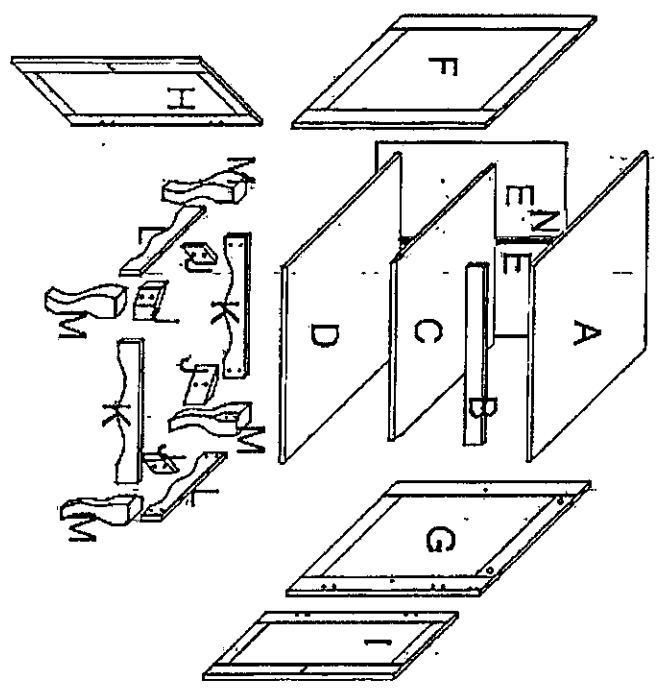


ASSEMBLY INSTRUCTIONS

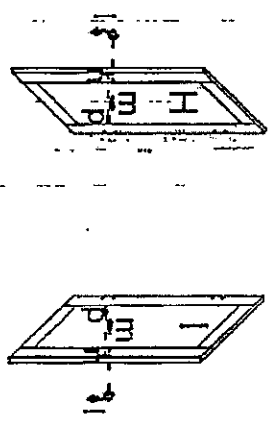
ASSEMBLED DIMENSIONS



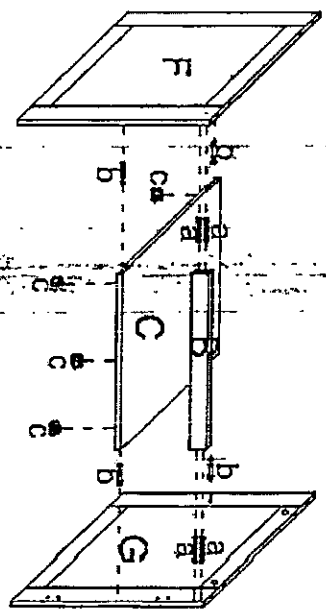
PARTS LIST



step 1



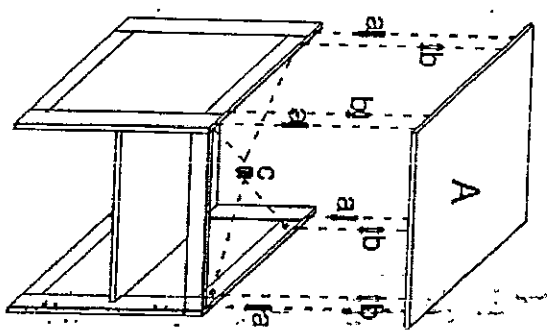
step 2



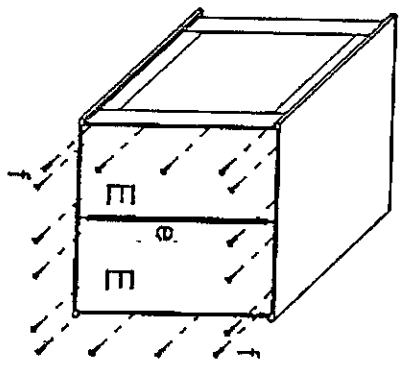
HARDWARE LIST

a		24PCS	j		3x15mm	2PCS
b		4PCS	k			12PCS
c		8PCS	l			2PCS
d		4PCS	m			2PCS
f		16PCS	n			2PCS
g		16PCS	o			4PCS
h		8PCS	p		3x15mm	18PCS
i		1PC				

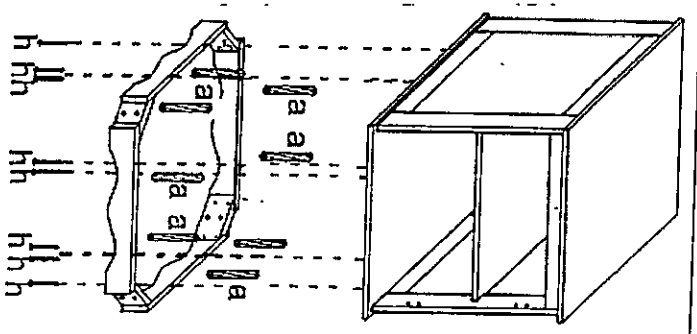
step 3



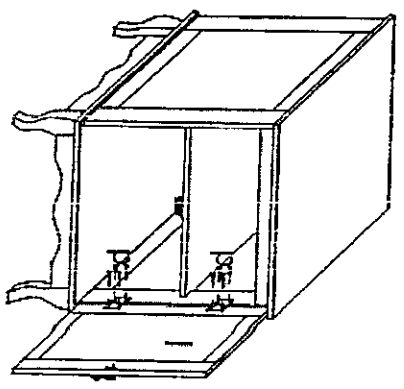
step 5



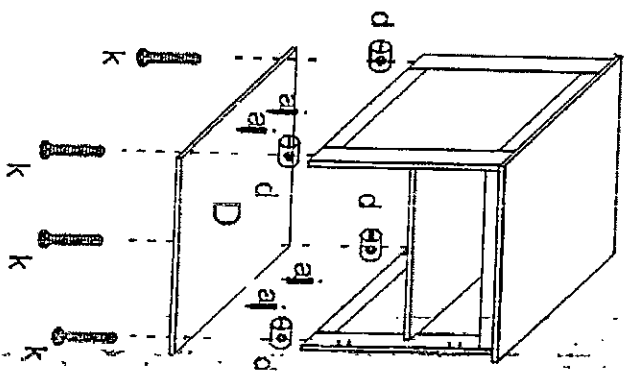
step 7



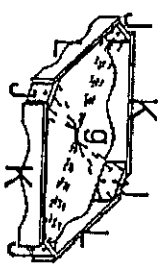
step 9



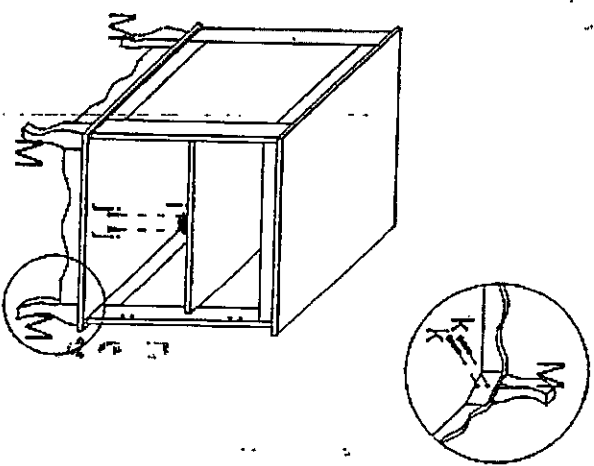
step 4



step 6



step 8



step 10

