



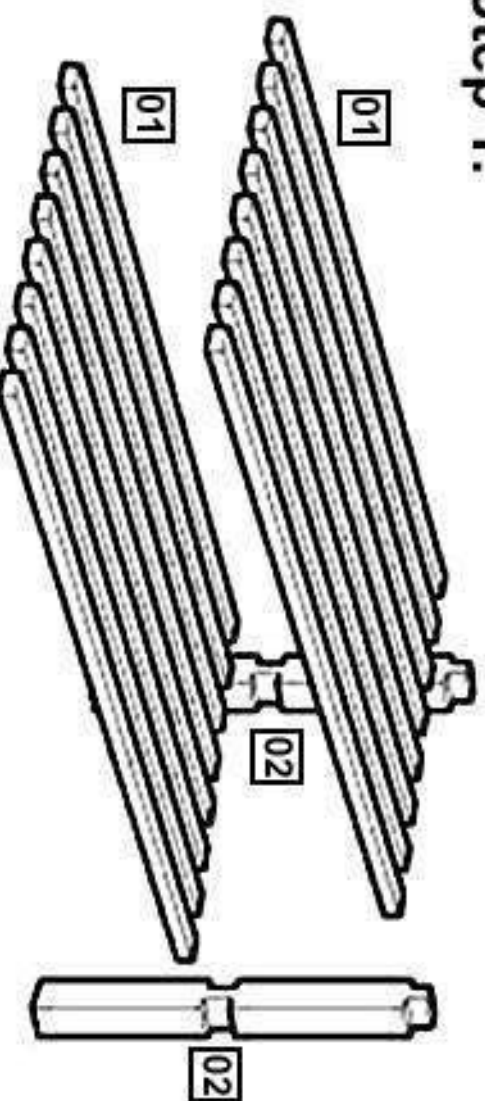
# ASSEMBLY INSTRUCTION

<<Before assembling, read all the instruction>>

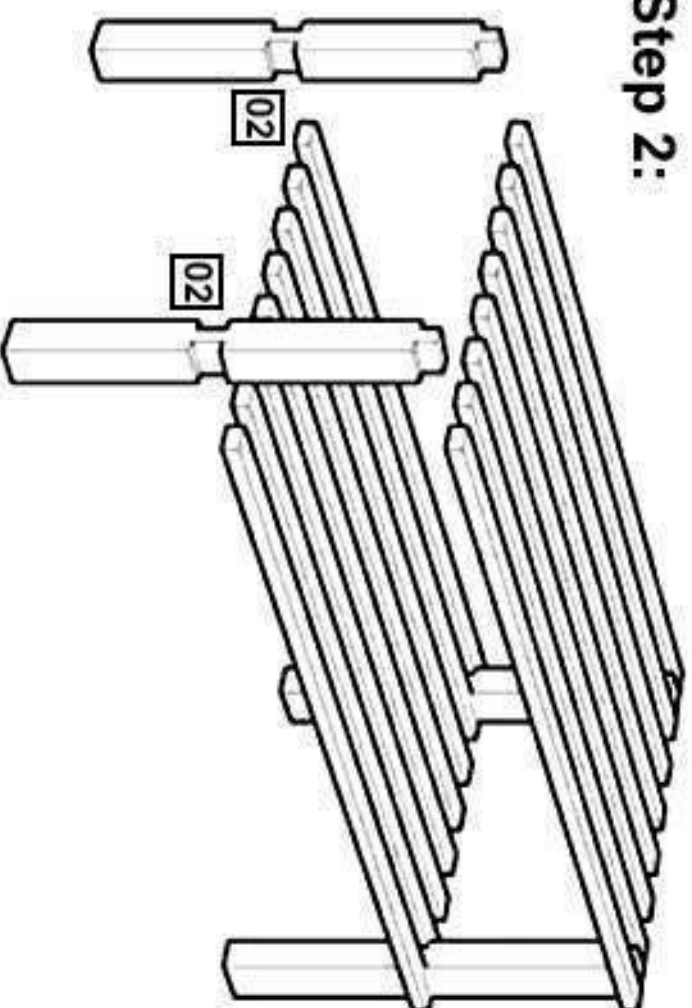
## Components:

NO.	PICTURE	QUANTITY
01		2pcs
02		4pcs

### Step 1:



### Step 2:



In the unlikely event of missing parts, please contact [spareparts@premierhousewares.co.uk](mailto:spareparts@premierhousewares.co.uk).

Detailing: when and where purchased, stockcode, detail of missing piece(s), full name and address.