

Ax1



Ex4



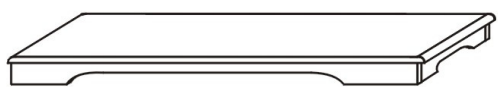
Hx8



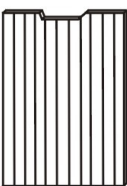
Kx6



Ox8



Bx1



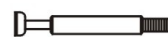
Fx4



Ix4



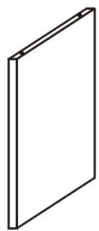
Lx6



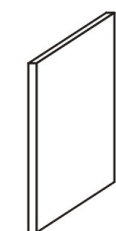
Mx6



Cx2



Dx2



Px1



Gx4

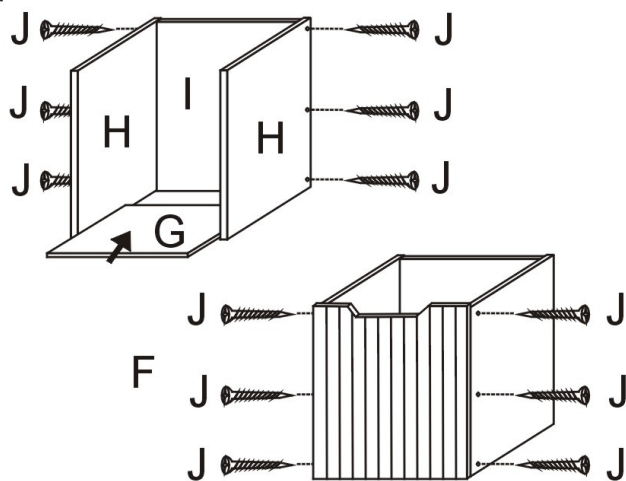


Jx48

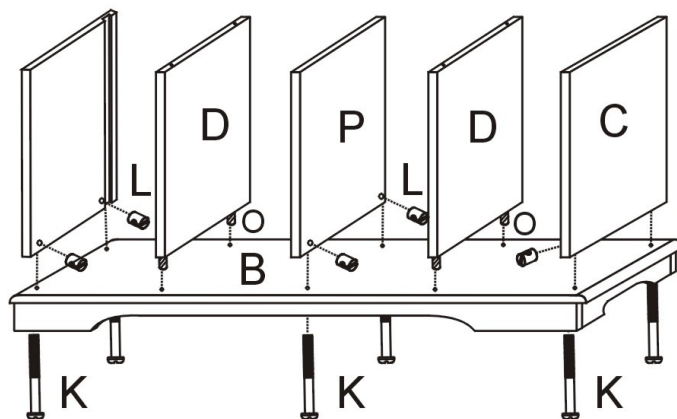


Nx6

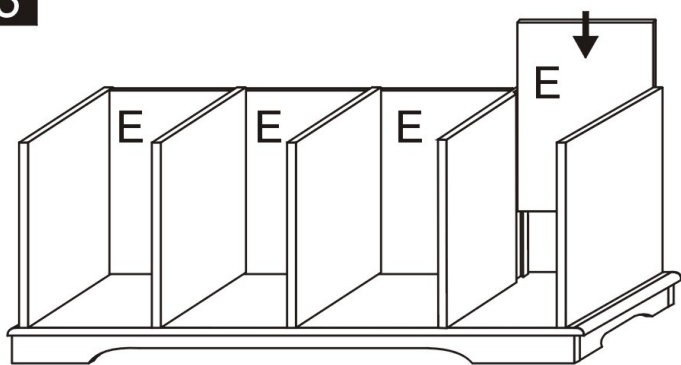
1



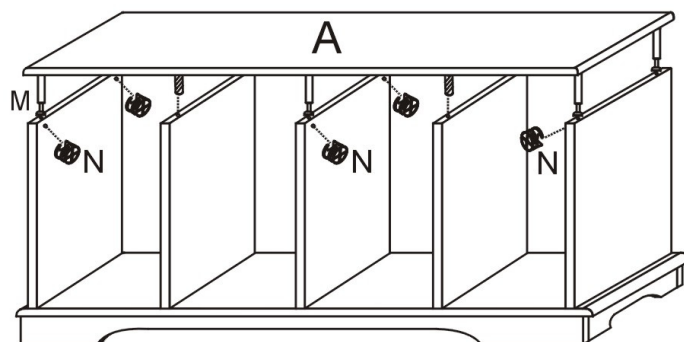
2



3



4



5

