






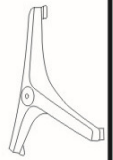
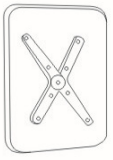


ID	PART	QTY
		2
		2
		2
		1
		3
		1
		1
		1
		1

